



# Infinity Curved Stair Lift

## Technical Specifications

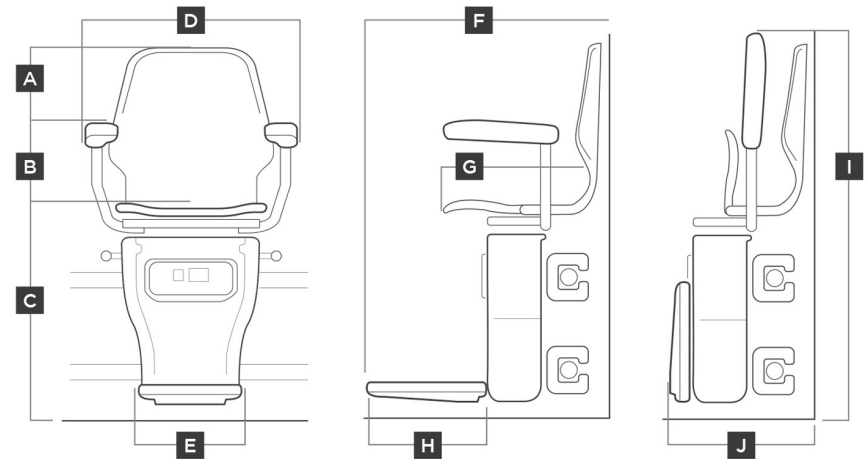
### Product Features:

Rack and Pinion Drive  
 24v DC Motor  
 120v Charger  
 Powder Coated Steel Rail  
 Weight Capacity: 275 lbs.

### Optional Features:

Upholstery color options  
 Dual Arm Control Kit  
 Retractable Seat Belt  
 Rail Foot Covers  
 Intermediate Rail Charge Point

	mm	inch
<b>A</b> Overall Height (from floor)	1058	42
<b>B</b> Height of arms (from floor)	837	33
<b>C</b> Height of seat (from floor)	594	23
<b>D</b> Overall width	607	24
<b>E</b> Width of footrest	300	12
<b>F</b> Overall depth (from wall)	620	25
<b>G</b> Depth of seat (to backrest)	385	15
<b>H</b> Depth of footrest	270	11
<b>I</b> Overall Height (when folded)	1078	43
<b>J</b> Overall depth (when folded)	407	16



### Document Information:

- All measurements are in inches.
- All dimensions measured from the wall are nominal.
- The addition of a wider stringer or similar obstruction may affect the dimensions taken from this point.
- The color represented in this document is for illustrative purposes only.

### Please Note:

The Infinity Curved Stair Lift can only be used with the supplied rail. Failure to use the correct rail for the carriage could result in significant safety issues. **Weight Capacity: 275 lbs.**